



# SHAH MARKETING PUNE LLP

Tel : 020-41237999 / 48611087

Project Orders : 8237066673/76/71/75

409, Mangalwar Peth, Shop No. 5 & 6, Lloyds Chambers, Block-1, Barne Raod, Next to Sinchan Bhawan, Pune-411011.  
 Authorised Distributors of Prince Cpvc, Upvc, Swr DWC Pipe, Viega Plumbing / Geberit concealed flushing Tank, ,  
 SWG, CI, SMP Pipes & Fitting, RCCC pipe, Half Rounds, Septic Tank, HP Solvents, RCC Chamber Covers & Greeting  
 (Shreeniwas) & FRP Chamber Covers & Greetings (Thermodrain), Jaquar CP & Sanitary Fittings.

Date: 01/09/2023

STANDARD SIZE	CLASS	PLATE THICKNESS	WEIGHT OF SET	LOAD CAPACITY	COVER DIMENSIONS	RATE
9"X12"	M.S.L.D	35 MM	14 KG	2.5 TON	225X295	299
12"X12"	M.S.L.D	40 MM	19 KG	3 TON	300X300	390
12" X 12"	F.S.M.D	50 MM	37 KG	5 TON	380X380	513
12" X 12"	F.S.H.D	75 MM	60 KG	10 TON	380X380	1093
18"X18"	F.S.L.D	40 MM	65 KG	3 TON	550X550	879
18"X18"	F.S.M.D	50 MM	80 KG	5 TON	550X550	1071
18"X18"	F.S.H.D	75 MM	95 KG	10 TON	550X550	1501
22"X16"	S.S.L.D	40 MM	30 KG	3 TON	320X470	551
24"X18"	S.S.L.D	40 MM	40 KG	3 TON	520X365	618
24"X18"	M.S.L.D	40 MM	60 KG	3 TON	455X600	820
24"X18"	F.S.L.D	40 MM	80 KG	3 TON	700X550	907
24"X18"	F.S.M.D	50 MM	90 KG	10TON	700X550	1074
24"X18"	F.S.H.D	90 MM	170 KG	20TON	700X550	2043
36"X18"	S.S.L.D	40 MM	55 KG	3 TON	815X360	817
36"X18"	M.S.L.D	40 MM	80 KG	3 TON	900X455	983
36"X18"	F.S.L.D	40 MM	105 KG	3 TON	1000X550	1219
36"X18"	F.S.M.D	50 MM	120 KG	10 TON	1000X550	1420
36"X18"	F.S.H.D	90 MM	240 KG	20 TON	1000X550	2584
24"X24"	F.S.L.D	40 MM	92 KG	3 TON	700X700	1340
24"X24"	F.S.M.D	50 MM	110 KG	10 TON	700X700	1568
24"X24"	F.S.H.D	90 MM	210 KG	20 TON	700X700	2475
36"X24"	F.S.L.D	50 MM	160 KG	5 TON	1000X700	1791
36"X24"	F.S.M.D	75 MM	200 KG	10 TON	1000X700	2109
36"X24"	F.S.H.D	90 MM	275 KG	20 TON	1000X700	2860
ROUND 21"	F.S.L.D	40 MM	75 KG	3 TON	630	907
ROUND 21"	F.S.M.D	70 MM	120 KG	10 TON	640	1283
ROUND 21"	F.S.H.D	100 MM	180 KG	20 TON	640	1644
ROUND 21"	F.S	100 MM	185 KG	35 TON	720	2024
ROUND 22"	F.S.H.D	90 MM	200 KG	20 TON	715	1984
ROUND 24"	F.S.H.D	100 MM	215 KG	20 TON	740	2098
ROUND 24"	F.S	100MM	230 KG	35 TON	740	2188
30"X30"	F.S.M.D	75 MM	230 KG	10 TON	850X850	2613
30"X30"	F.S.H.D	95 MM	340 KG	20 TON	875X875	3506
36"X36"	F.S.M.D	50 MM	220 KG	5 TON	1000X1000	2423
36"X36"	F.S.M.D	75 MM	300 KG	10 TON	1000X1000	2795
36"X36"	F.S.H.D	95 MM	430 KG	20 TON	1000X1000	4216
24"X48"	F.S.M.D	75 MM	300 KG	10 TON	710X1320	5626
24"X48"	F.S.H.D	100 MM	470 KG	20 TON	720X1330	6275
48"X36" (1F+2C)	F.S.M.D	75MM	370 KG	20 TON	1020X660(2)	6408
48"X36" (1F+2C)	F.S.H.D	95 MM	700 KG	20 TON	1010X650(2)	10175
48"X48" (1F+2C)	F.S.M.D	75 MM	510 KG	10 TON	1320X660(2)	8693
48"X48" (1F+2C)	F.S.H.D	95 MM	820 KG	20 TON	1310X650(2)	11082

continuous page-2

**PRICE LIST OF SHREENIWAS GRATTING WITH FRAMES**

DATE : 01/09/2023

GRATTING with frame						
STANDARD SIZE	CLASS	PLATE THICKNESS	WEIGHT OF SET	LOAD CAPACITY	COVER DIMENSIONS	RATE
12"X12"	F.S.M.D.	50 MM	37 KG	5 TON	380X380	513
12"X12"	F.S.H.D.	75 MM	60 KG	10 TON	380X380	1093
18"X18"	F.S.M.D.	50 MM	77 KG	5 TON	550X550	1071
18"X18"	F.S.H.D.	75 MM	95 KG	10 TON	550X550	1501
24"X18"	F.S.L.D.	50 MM	90 KG	5 TON	700X550	1074
24"X18"	F.S.M.D.	75 MM	135 KG	10 TON	700X550	1676
24"X18"	F.S.H.D.	90 MM	160 KG	18 TON	700X550	2043
36"X18"	F.S.L.D.	50 MM	120 KG	5 TON	1000X550	1420
36"X18"	F.S.M.D.	75 MM	160 KG	10 TON	1000X550	1938
36"X18"	F.S.H.D.	90 MM	235 KG	18 TON	1000X550	2584
24"X24"	F.S.L.D.	50 MM	110 KG	5 TON	700X700	1568
24"X24"	F.S.M.D.	75 MM	140 KG	10 TON	700X700	1796
24"X24"	F.S.H.D.	90 MM	210 KG	18 TON	700X700	2475
36"X24"	F.S.L.D.	50 MM	144 KG	5 TON	1000X700	1791
36"X24"	F.S.M.D.	75 MM	195 KG	10 TON	1000X700	2109
36"X24"	F.S.H.D.	90 MM	270 KG	18 TON	1000X700	2860
ROUND 21"	F.S.M.D.	70 MM	110 KG	5 TON	640	1283
ROUND 21"	F.S.H.D.	100 MM	175 KG	20 TON	640	1644
ROUND 21"	F.S.Ex.H.D	100 MM	185 KG	35 TON	720	2024
ROUND 24"	F.S.(H.D)	100 MM	220 KG	20 TON	740	2098
ROUND 24"	F.S	100MM	230 KG	30 TON	740	2188
30"X30"	F.S.M.D.	75 MM	230 KG	10 TON	850X850	2613
30"X30"	F.S.H.D	95 MM	340 KG	20 TON	875X875	3506
36"X36"	F.S.L.D.	50 MM	220 KG	5 TON	1000X1000	2423
36"X36"	F.S.M.D.	75 MM	300 KG	10 TON	1000X1000	2795
36"X36"	F.S.H.D.	95 MM	430 KG	20 TON	1000X1000	4216
48"X36"(1F+2C)	F.S.M.D.	75 MM	370 KG	10 TON	1020X660(2)	5626
48"X36"(1F+2C)	F.S.H.D.	95 MM	700 KG	20 TON	1010X650(2)	10175
48"X48"(1F+2C)	F.S.M.D.	75 MM	510 KG	10 TON	1320X660(2)	8693
48"X48"(1F+2C)	F.S.H.D.	95 MM	820 KG	20 TON	1310X650(2)	11082

**TERMS & CONDITIONS :**

- GST APPLICABLE AT ACTUAL
- CASH \_\_\_ DISC FOR IMM PAYMENT
- LOADING CHARGES EXTRA
- DELIVERY EX. OUR GODOWN

S.S. = SMALL SIZE i.e FRAME OUTER SIZE  
M.S. = MEDIUM SIZE i.e. PLATE OUTER SIZE  
F.S. = FULL SIZE i.e. PLATE OUTER SIZE

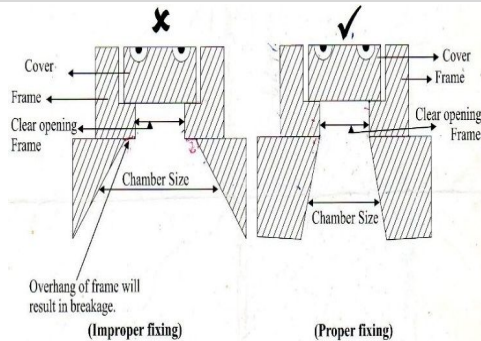
**PRECAUTIONS TO BE TAKEN WHILE UNLOADING & FIXING RCC MANHOLE COVER / FRAME**

**1. UNLOADING**

- The frames and covers have to be properly lifted from the truck and placed properly on the ground either manually or mechanically.
- At no point of time they should be un loaded on tyre or mud sack or heap of sand.
- They Should be properly stacked adjacent to each other horizontally. They should never be placed on top of each other vertically.
- Proper care has to be taken while shifting material from one place to other:

**2. FIXING OF COVER / FRAME ON CHAMBER**

- The clear opening of the chamber should be same as that of manhole frame. It can be less than that of manhole frame but it should never be more than that.
- The frame is designed for compressive load only. Hence it should always have full support at the bottom. The collar of the frame should not overhang or have cantilever load.
- Proper fixing of the frame and cover is illustrated below.



OUR LANDLINE NUMBER : 020-41237999 / 48611087